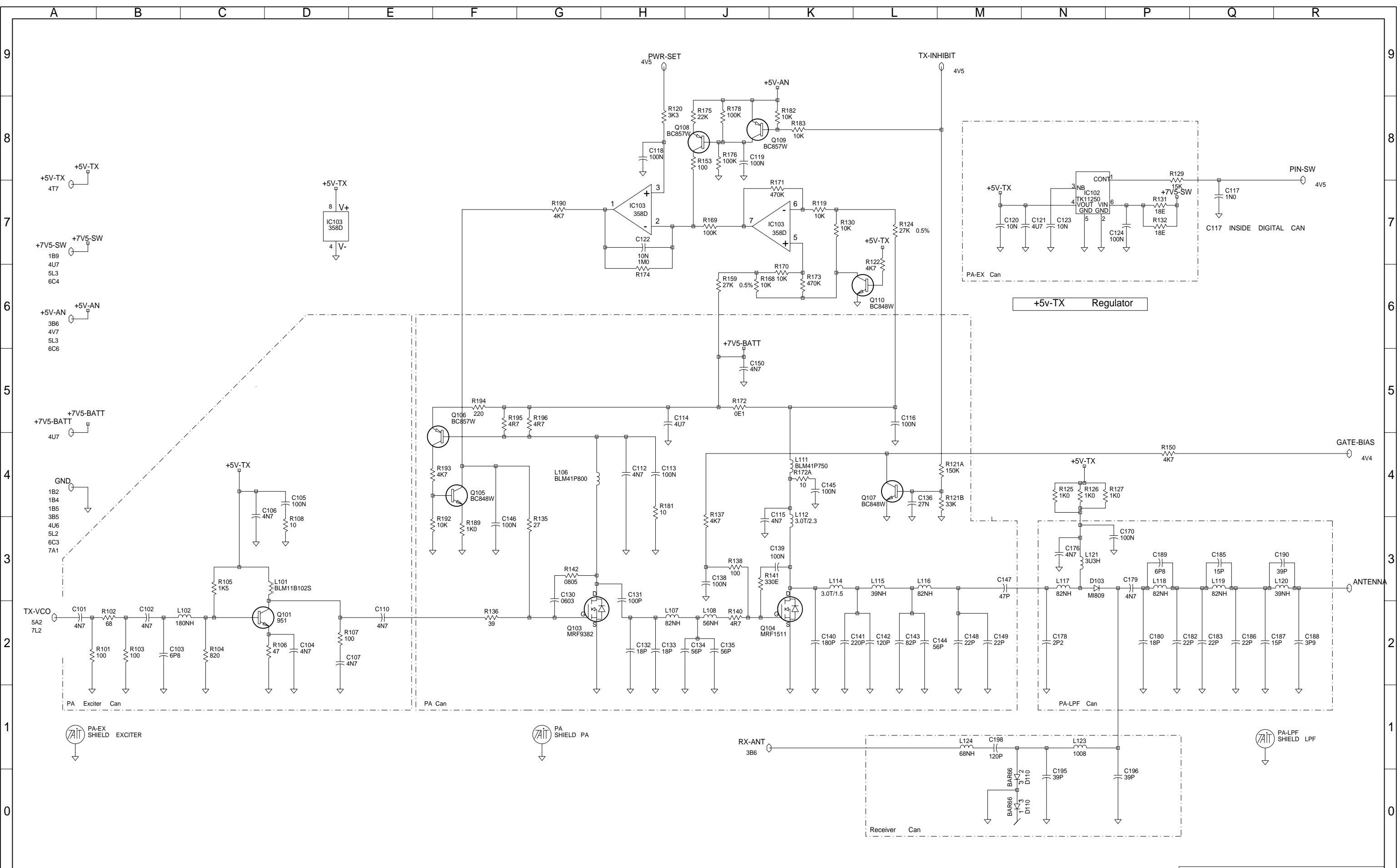


**PROCESSOR**  
252 SHEET 4  
**DSP AUDIO**

**SUB-VHF**  
Tait Orca

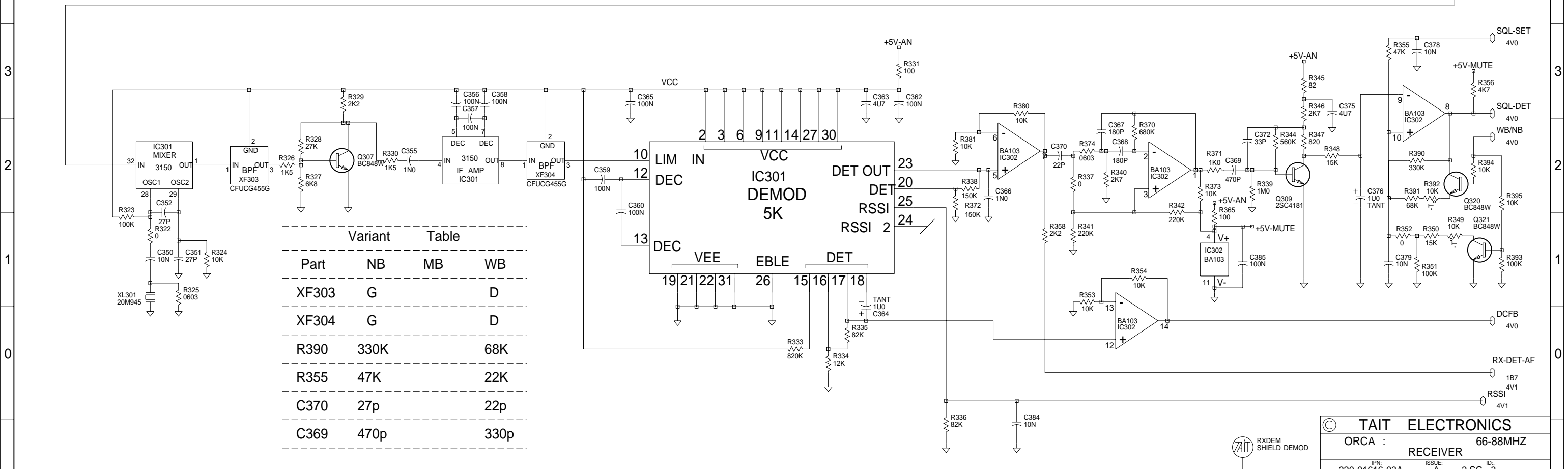
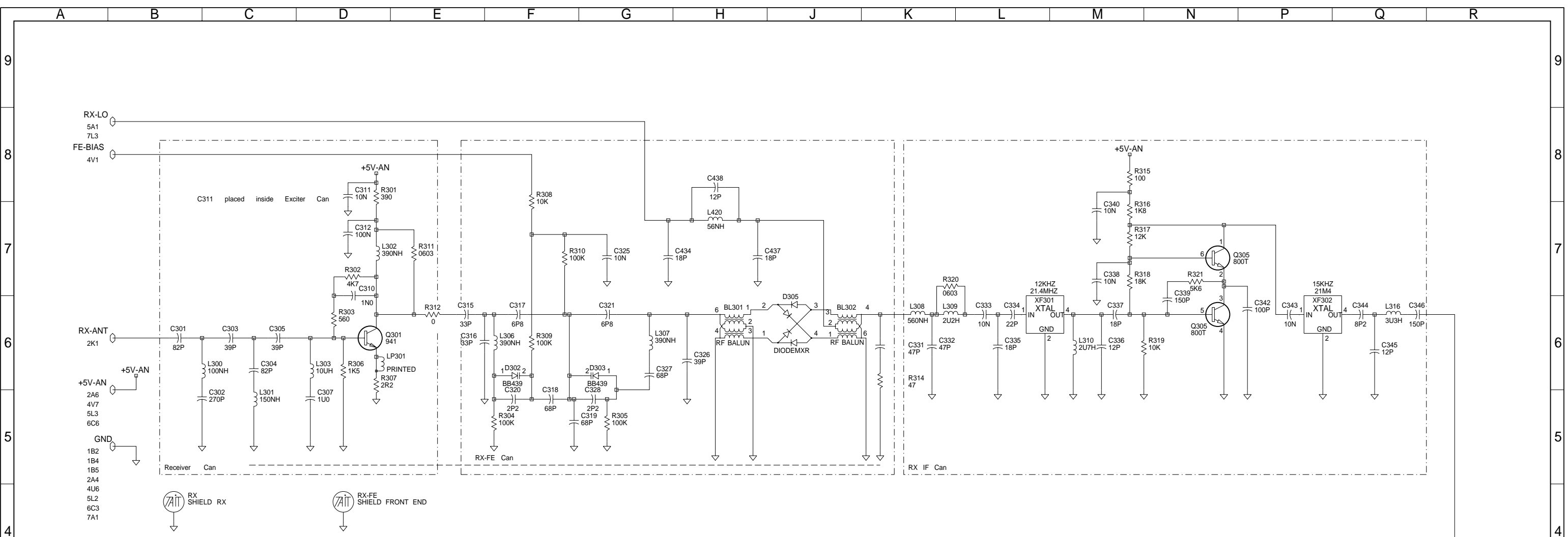
© TAIT ELECTRONICS	
ORCA :	66-88MHZ
SYSTEM DIAGRAM	
IPN:	ID:
220-01616-03A	A 2.S.C. 1
PROJECT:	DESIGNER:
TAIT ORCA	BRD
FILE NAME:	FILE DATE:
161603a	7-Oct-99
NO.SHEETS:	7

03A	LAYER 3 GND ISO FOR DGND	BRD			07-10-99
02A	1616/002 VCO DOUBLER ADDED	BRD			06-10-99
01A	FIRST 66-88 MHZ	BRD			21-09-99
REV/ISS	AMENDMENTS	DRAWN	CHKD	D.O.	APVD DATE



© TAIT ELECTRONICS  
 ORCA : 66-88MHZ POWER AMPLIFIER  
 IPN: A ISSUE: 2.SC. 2  
 PROJECT: 220-01616-03A DESIGNER: BRD FILE NAME: 161603a FILE DATE: 7-Oct-99 NO.SHEETS: 7

REV/ISS	AMENDMENTS	DRAWN	CHKD	D.O.	APVD	DATE
A						

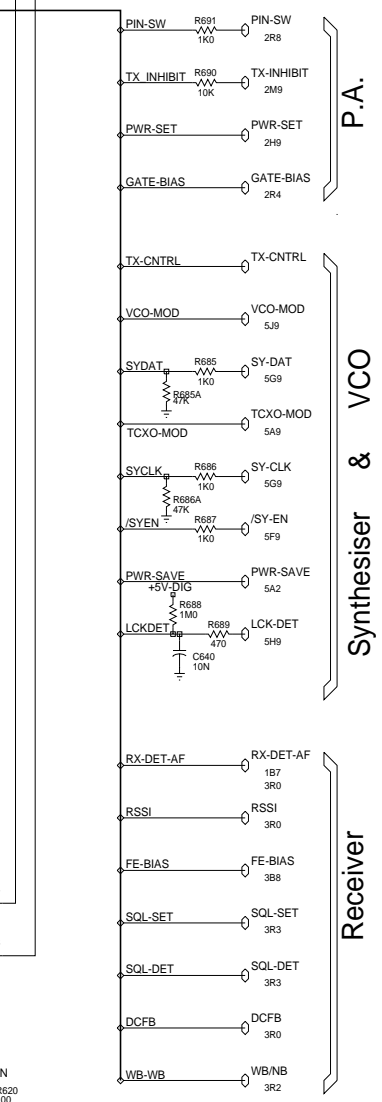
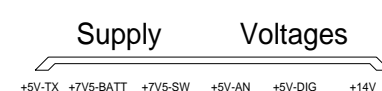
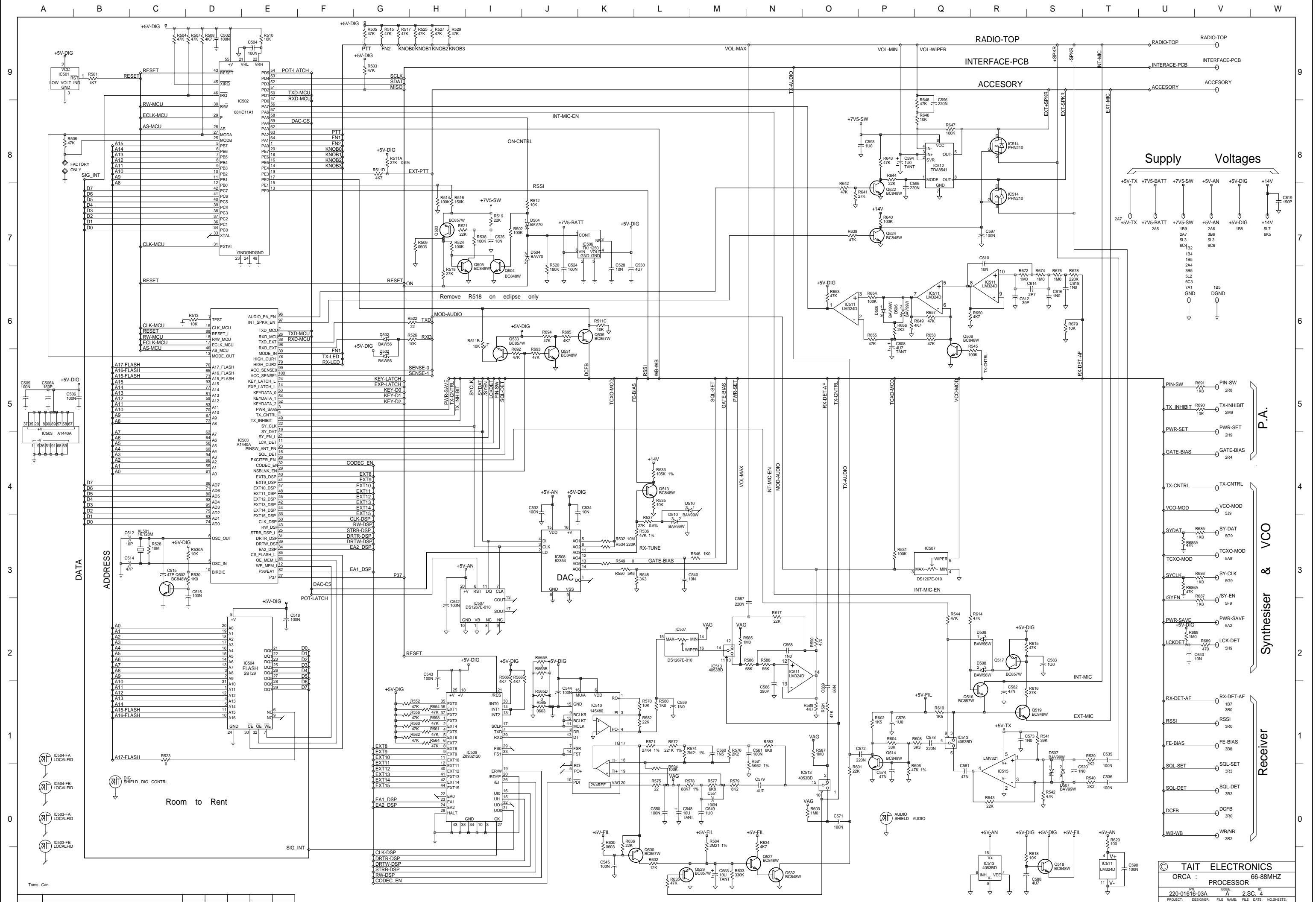


Variant Table

Part	NB	MB	WB
XF303	G		D
XF304	G		D
R390	330K		68K
R355	47K		22K
C370	27p		22p
C369	470p		330p

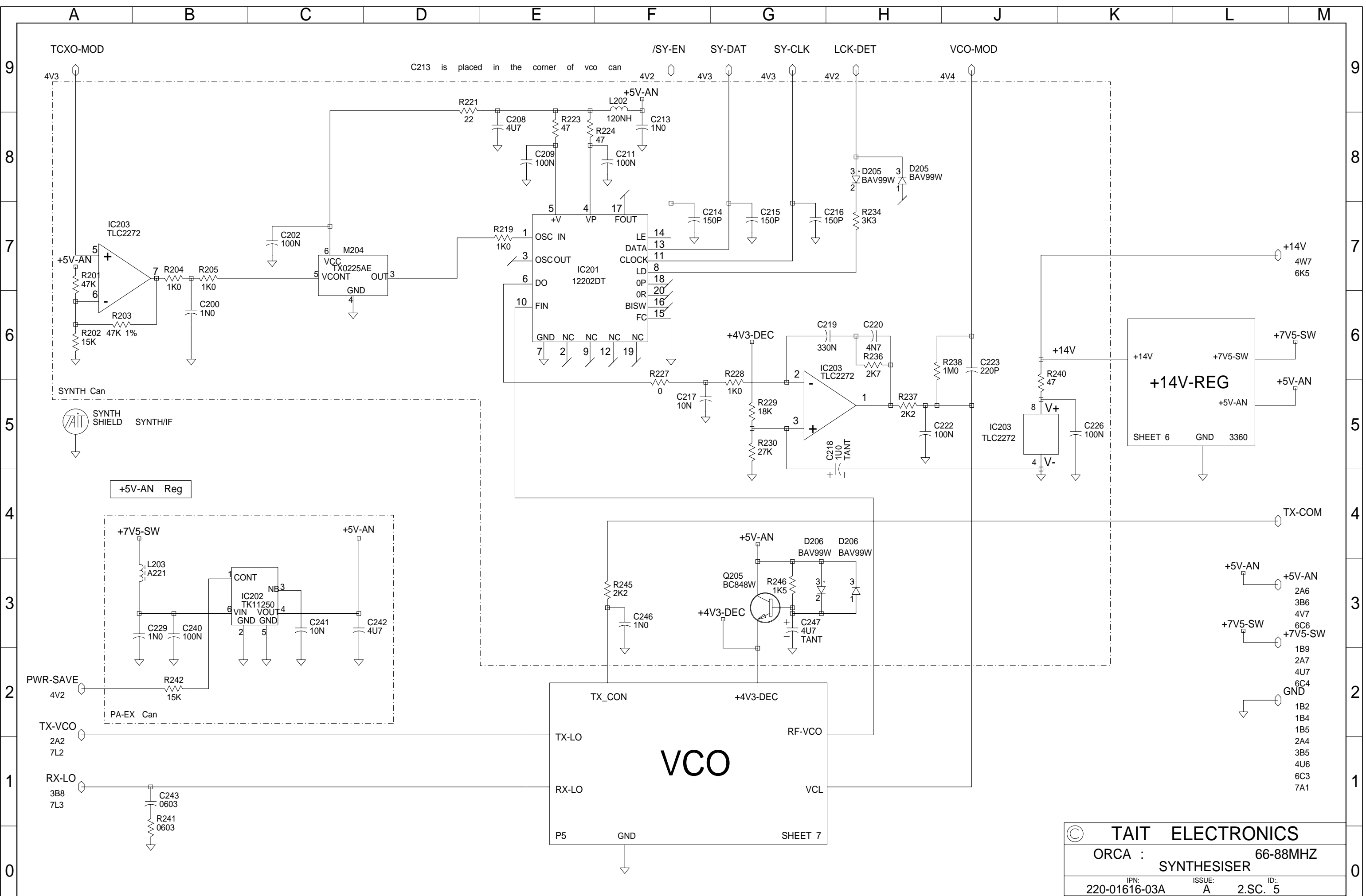
REV/ISS	AMENDMENTS	DRAWN	CHKD	D.O.	APVD	DATE

© TAIT ELECTRONICS  
 ORCA : RECEIVER 66-88MHZ  
 IPN: 220-01616-03A ISSUE: A ID: 2.S.C. 3  
 PROJECT: TAIT ORCA BRD DESIGNER: FILE NAME: 161603a FILE DATE: 7-Oct-99 NO.SHEETS: 7



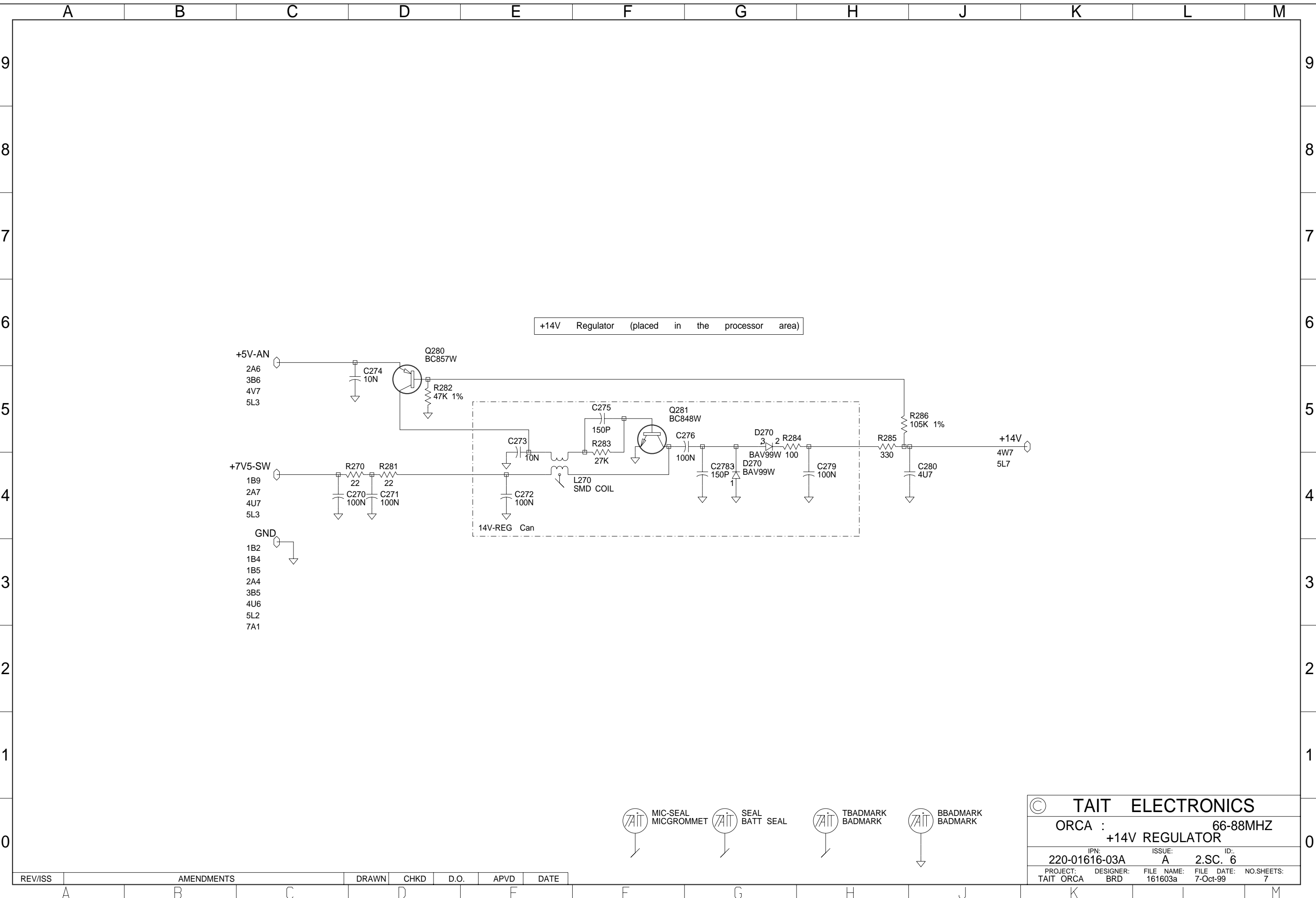
© TAIT ELECTRONICS  
 ORCA : PROCESSOR 66-88MHZ  
 220-01616-03A  
 PROJECT DESIGNER: FILE DATE: NO SHEETS: 161603a 7-Oct-99 7

REV/ISS	AMENDMENTS	DRAWN	CHKD	D.O.	APVD	DATE
A						

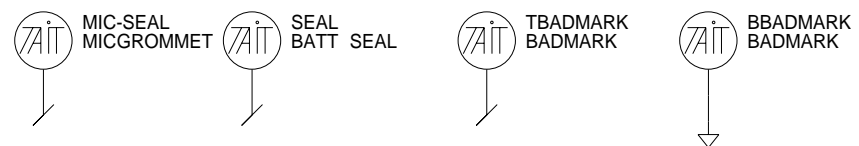


© TAIT ELECTRONICS  
 ORCA : 66-88MHZ SYNTHESISER  
 IPN: 220-01616-03A ISSUE: A ID: 2.SC. 5  
 PROJECT: TAIT ORCA DESIGNER: BRD FILE NAME: 161603a FILE DATE: 7-Oct-99 NO.SHEETS: 7

REV/ISS	AMENDMENTS	DRAWN	CHKD	D.O.	APVD	DATE

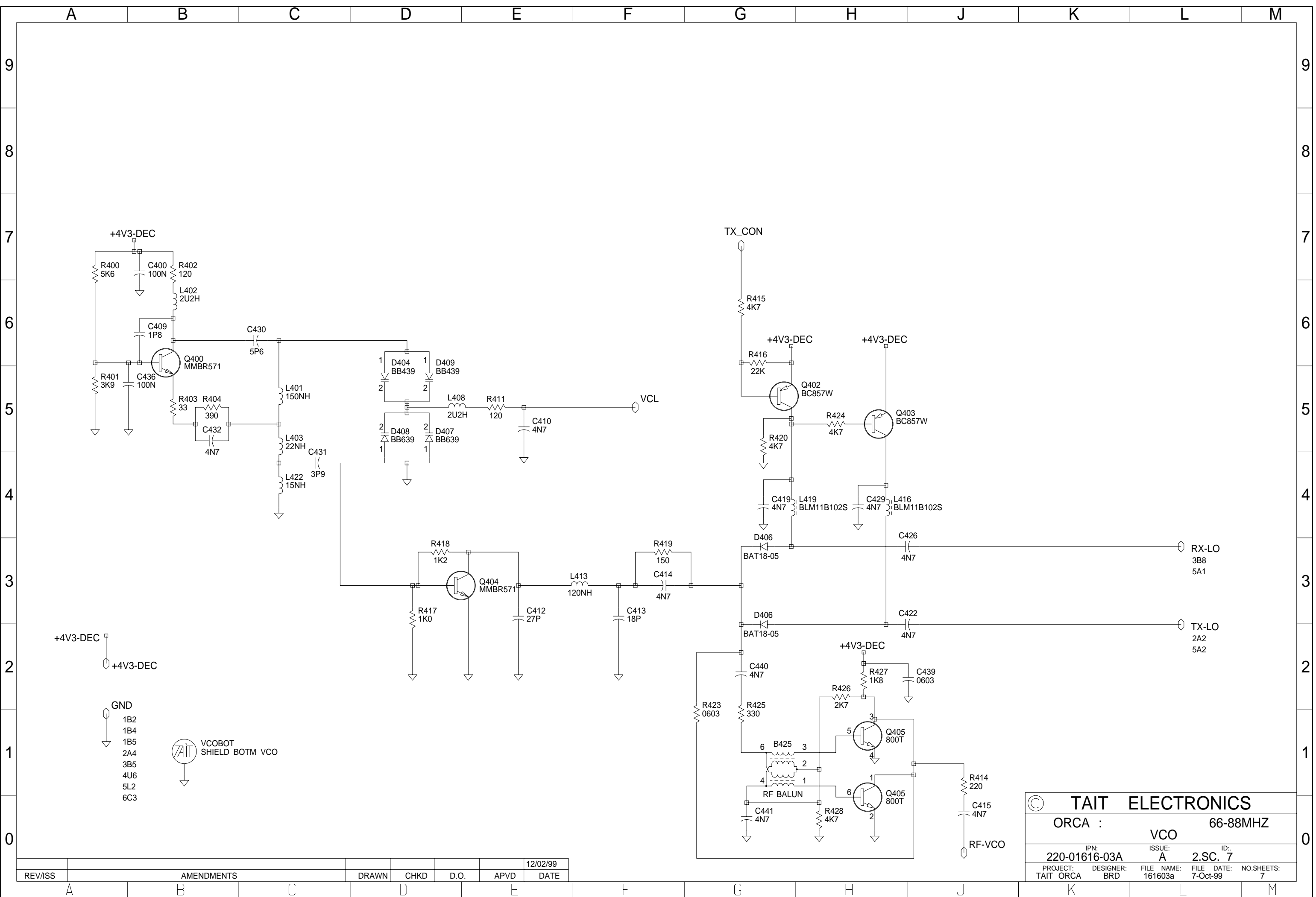


+14V Regulator (placed in the processor area)



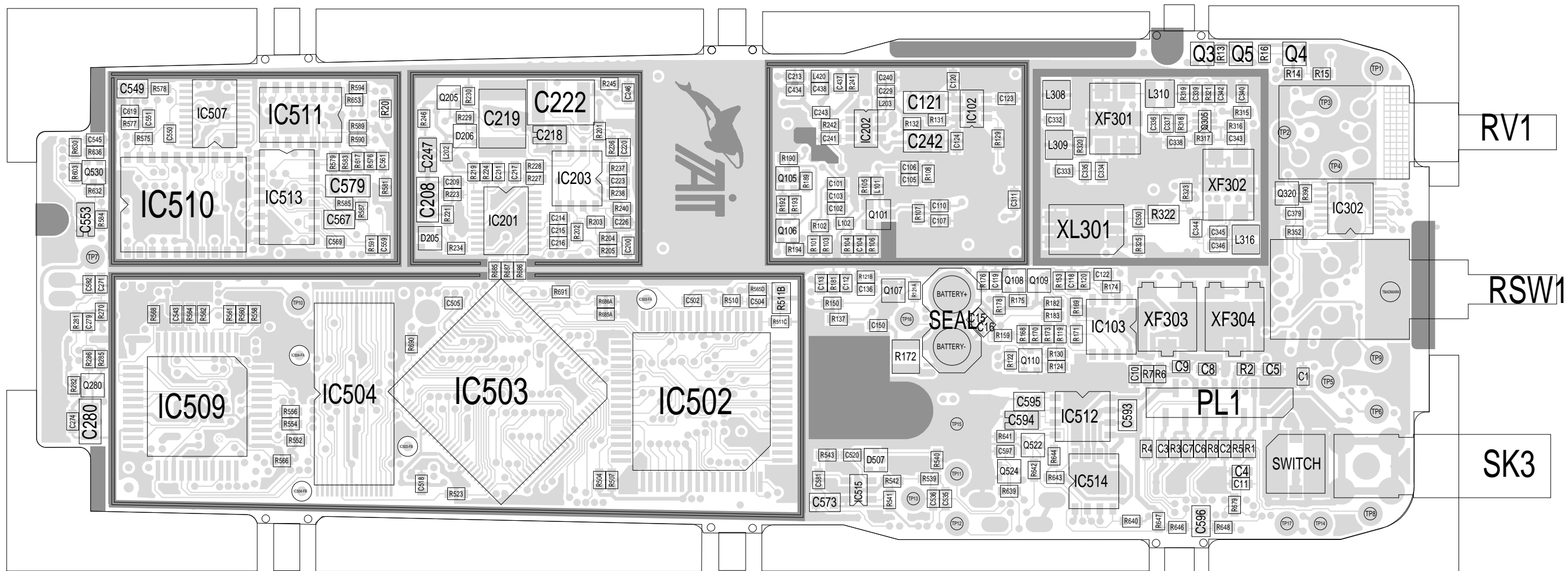
© TAIT ELECTRONICS	
ORCA :	66-88MHZ
+14V REGULATOR	
IPN: 220-01616-03A	ISSUE: A
ID: 2.SC. 6	
PROJECT: TAIT ORCA	DESIGNER: BRD
FILE NAME: 161603a	FILE DATE: 7-Oct-99
NO.SHEETS: 7	

REV/ISS	AMENDMENTS	DRAWN	CHKD	D.O.	APVD	DATE
---------	------------	-------	------	------	------	------



© TAIT ELECTRONICS				
ORCA :		66-88MHZ		
IPN:		ISSUE: A		ID: 2.SC. 7
220-01616-03A				
PROJECT:	DESIGNER:	FILE NAME:	FILE DATE:	NO.SHEETS:
TAIT ORCA	BRD	161603a	7-Oct-99	7

REV/ISS	AMENDMENTS	DRAWN	CHKD	D.O.	APVD	DATE
						12/02/99



TAIT ELECTRONICS    IPN: 220-01616-03    ISS: -03    ID: 1.TA    DATE: 7 Oct 1999  
 SUB VHF PCB LAYOUT - TOP SIDE

Scale: 2.3:1 ; Rotation: 0 degrees





TAIT ELECTRONICS IPN: 220-01616-03 ISS: -03 ID: 6.BA DATE: 7 Oct 1999  
 SUB VHF PCB LAYOUT - BOTTOM SIDE

Scale: 2.3:1 ; Rotation: 0 degrees